

# WCS : Quick Install Guide

v.1

# Package Contents

## Transmitter



### For Type-C

Type-C Cable



### For HDMI

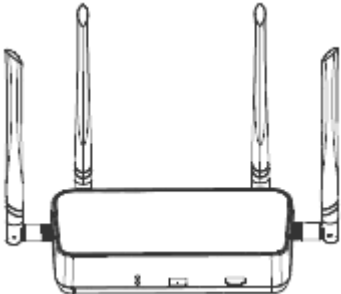
HDMI Cable



USB Cable



## Receiver



Antennas

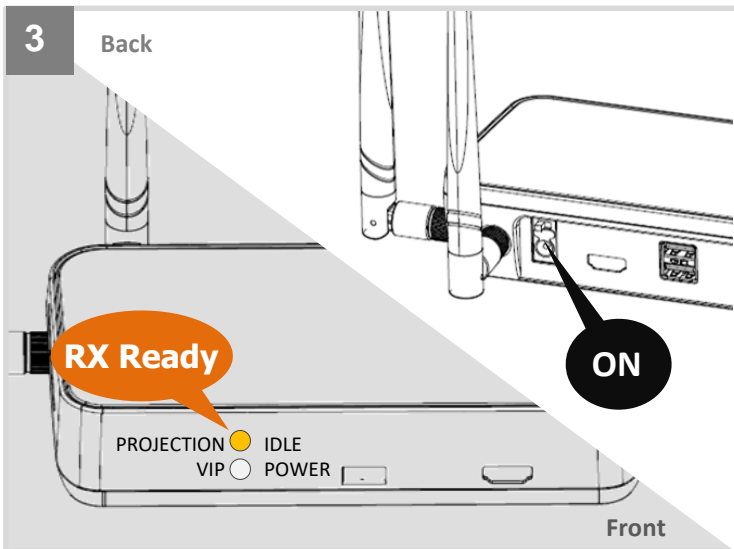
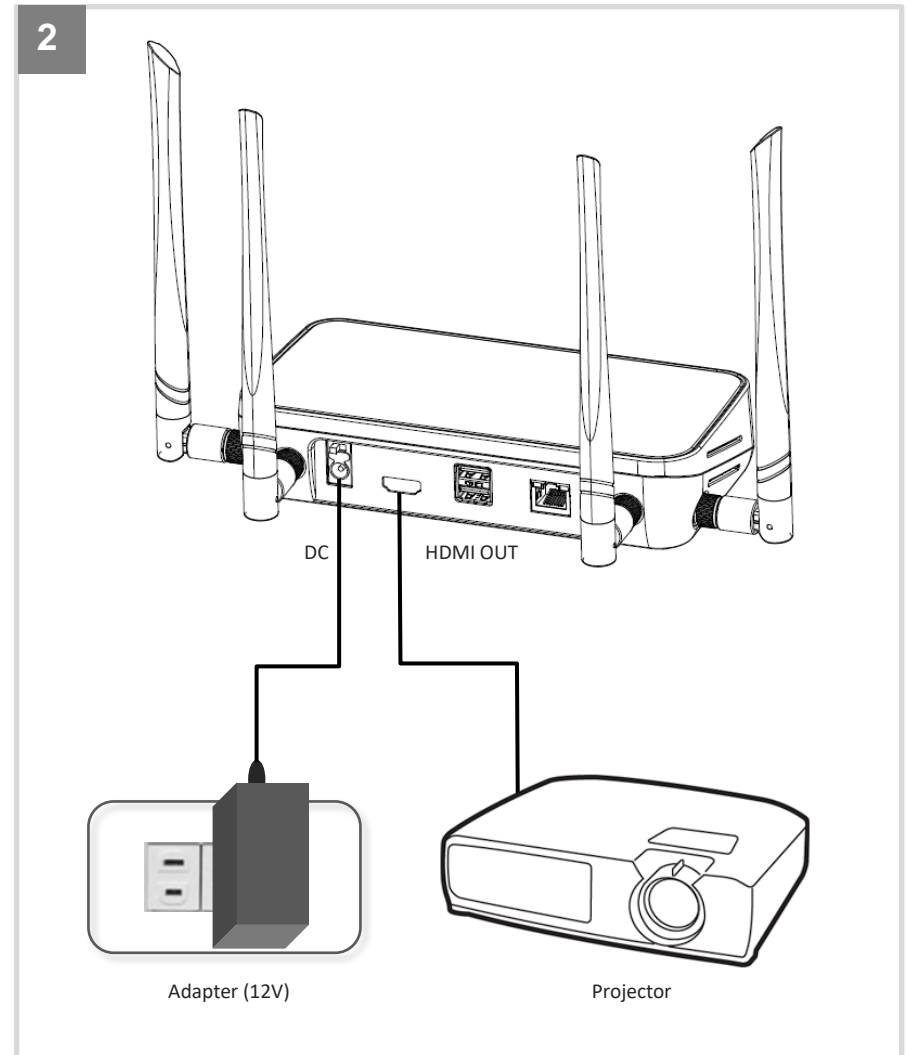
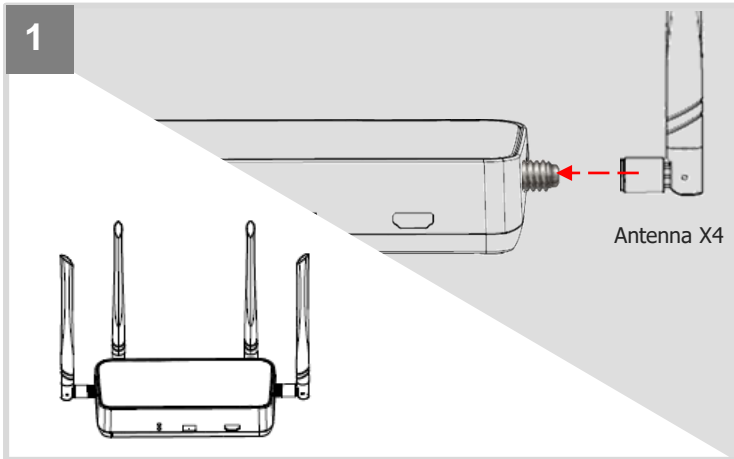


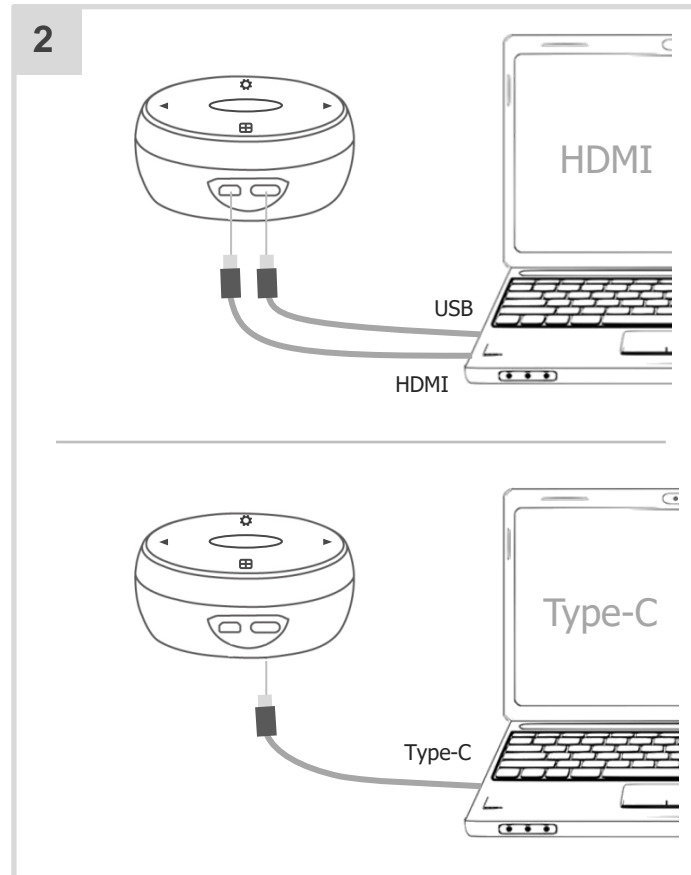
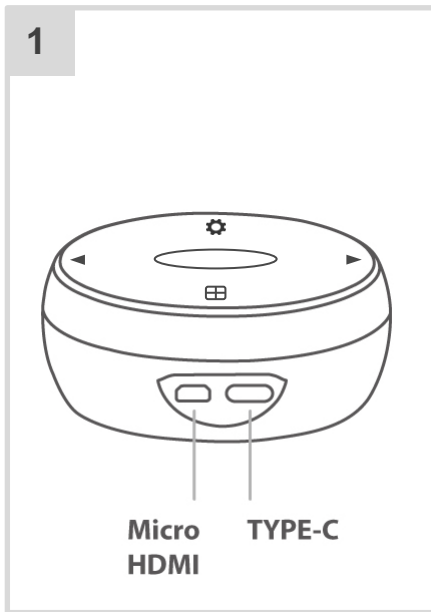
HDMI Cable



Adapter



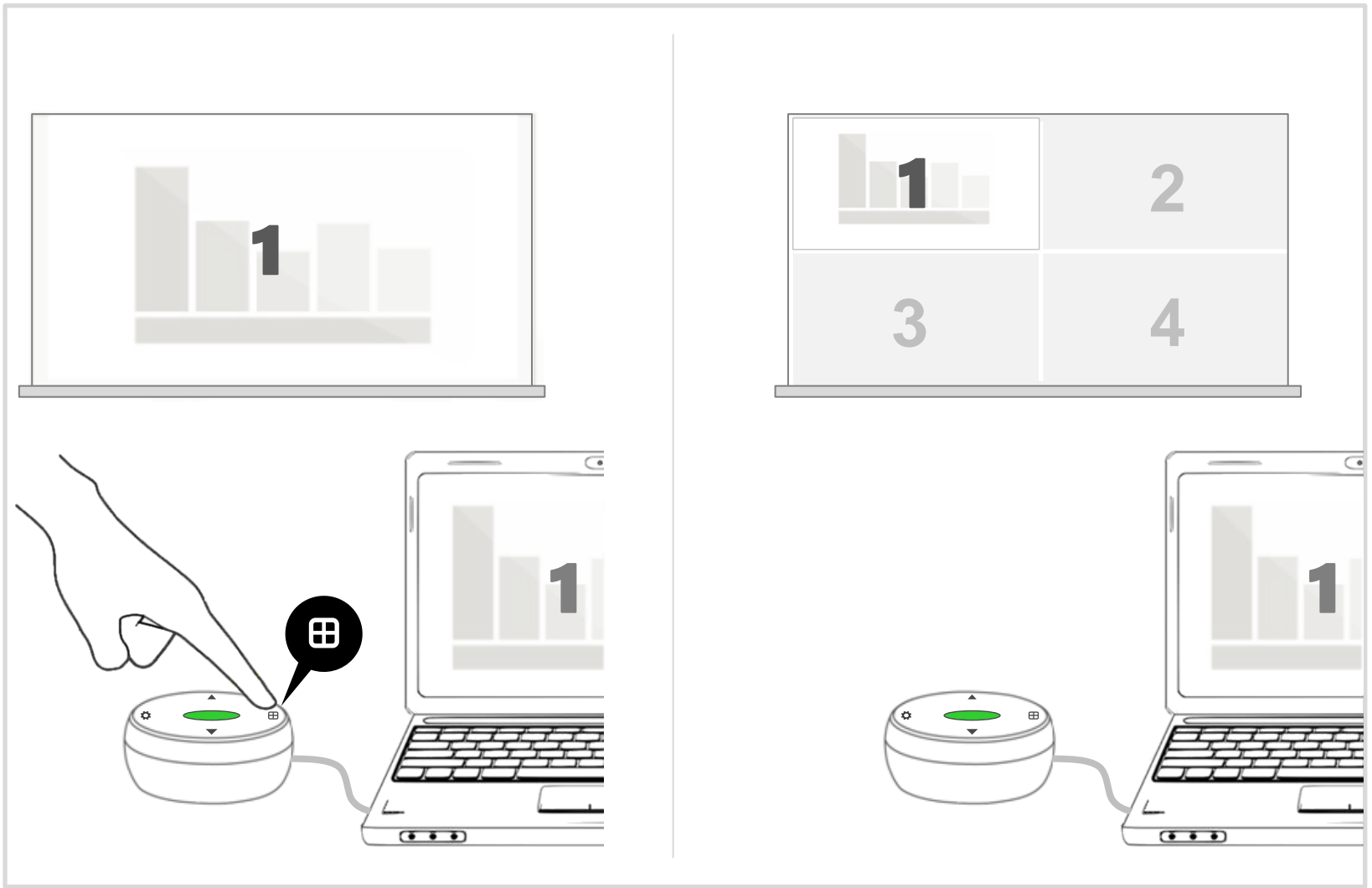


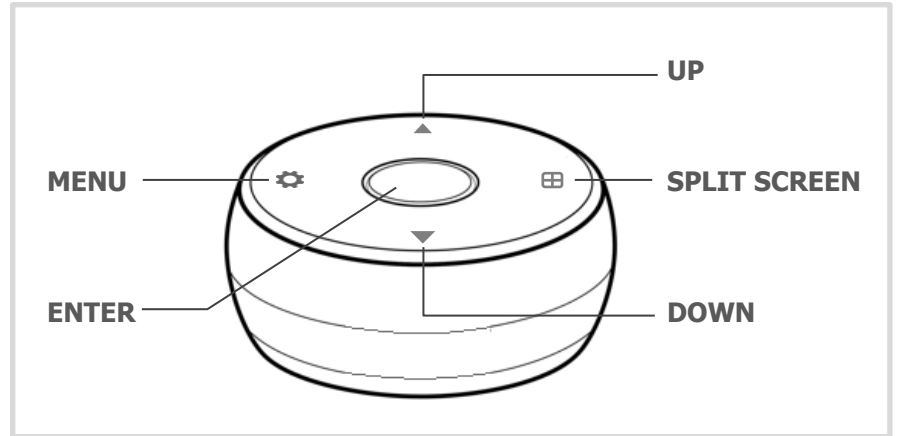
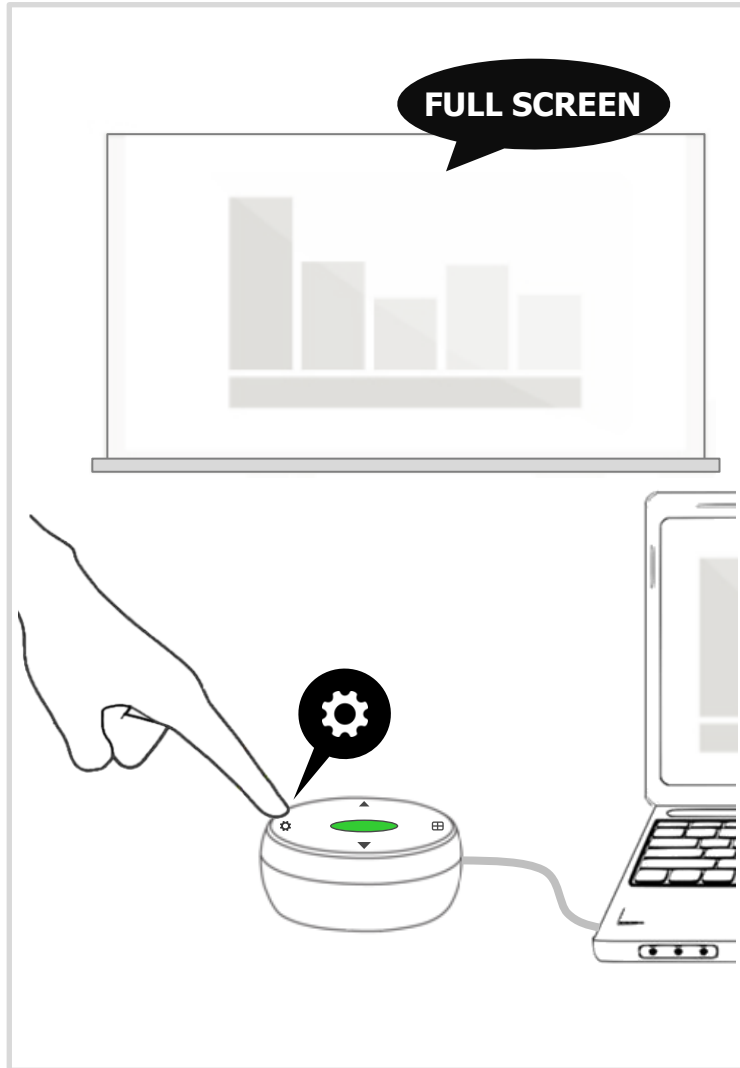


### For Type-C laptop :

- Requires USB3.1 Type-C (Display Port) or Thunderbolt™3 Type-C connector on PC
- 電腦介面需支援USB 3.1 Type-C (Display Port)或Thunderbolt™3 Type-C
- 计算机接口需支持USB 3.1 Type-C (Display Port)或Thunderbolt™3 Type-C



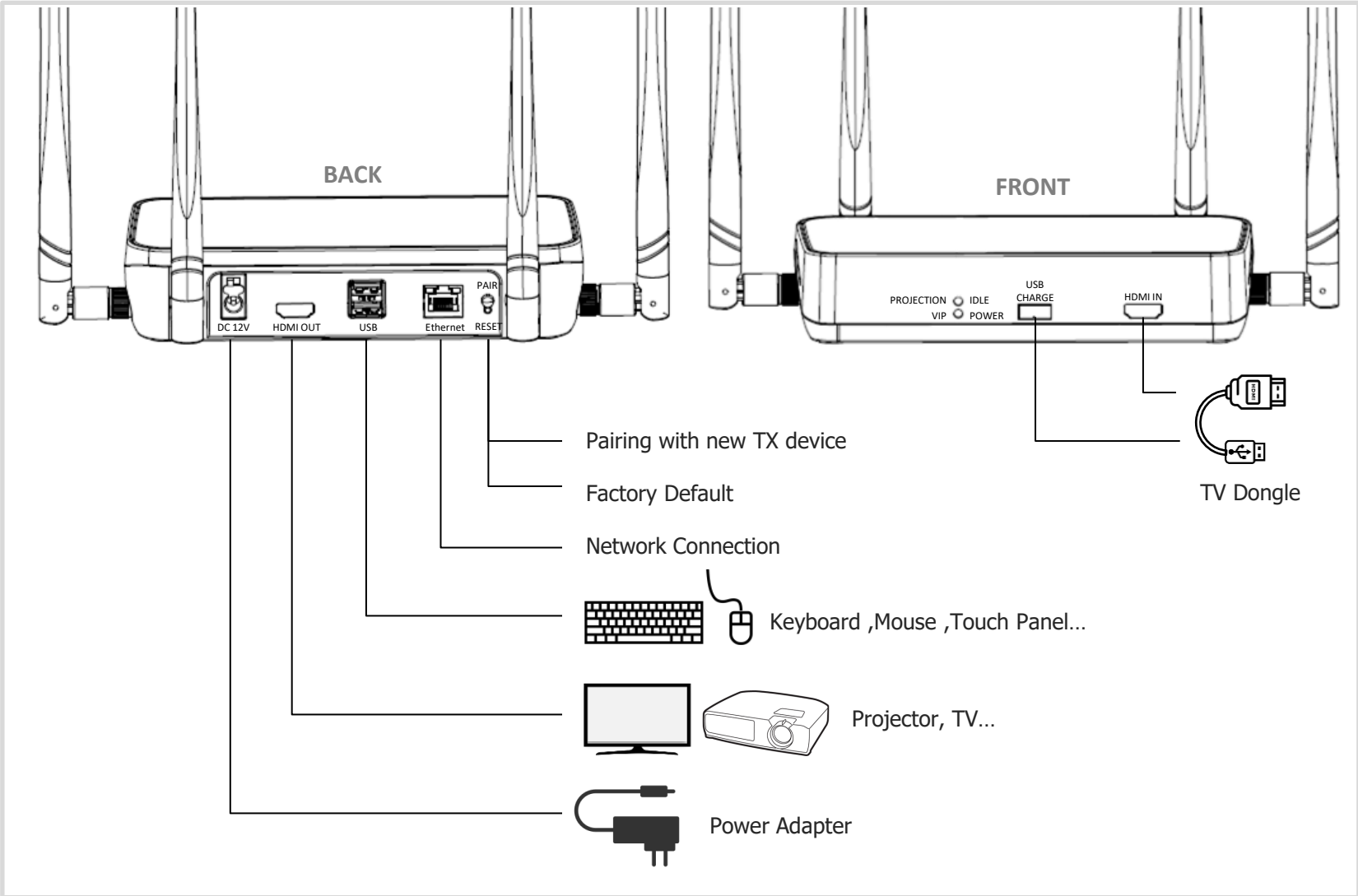


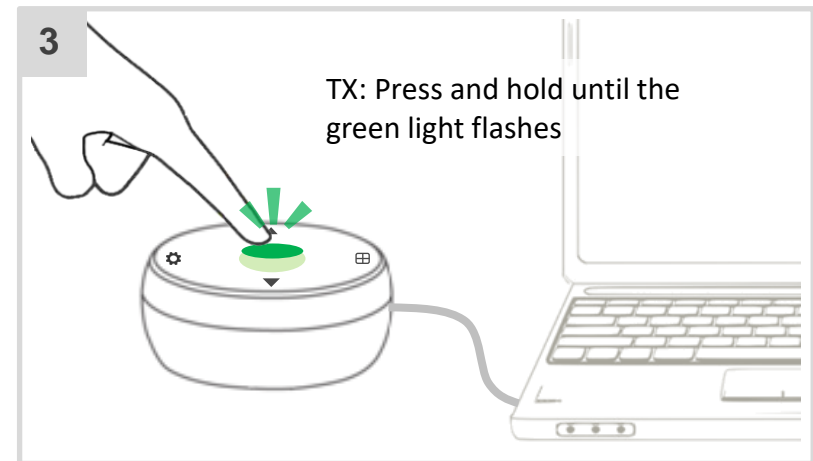
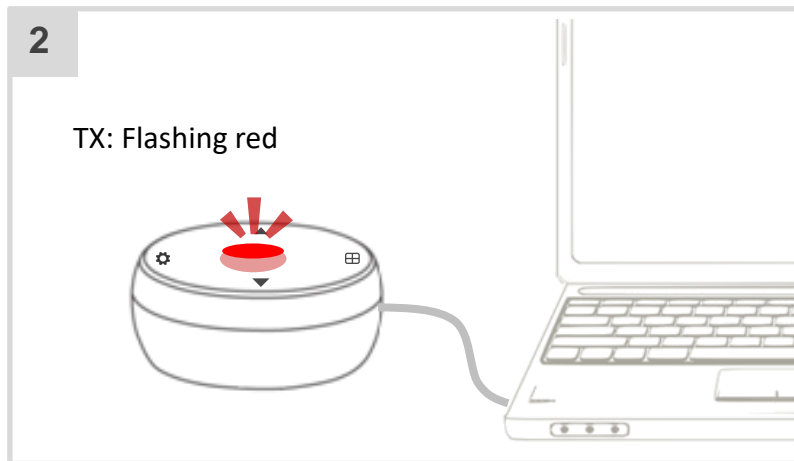
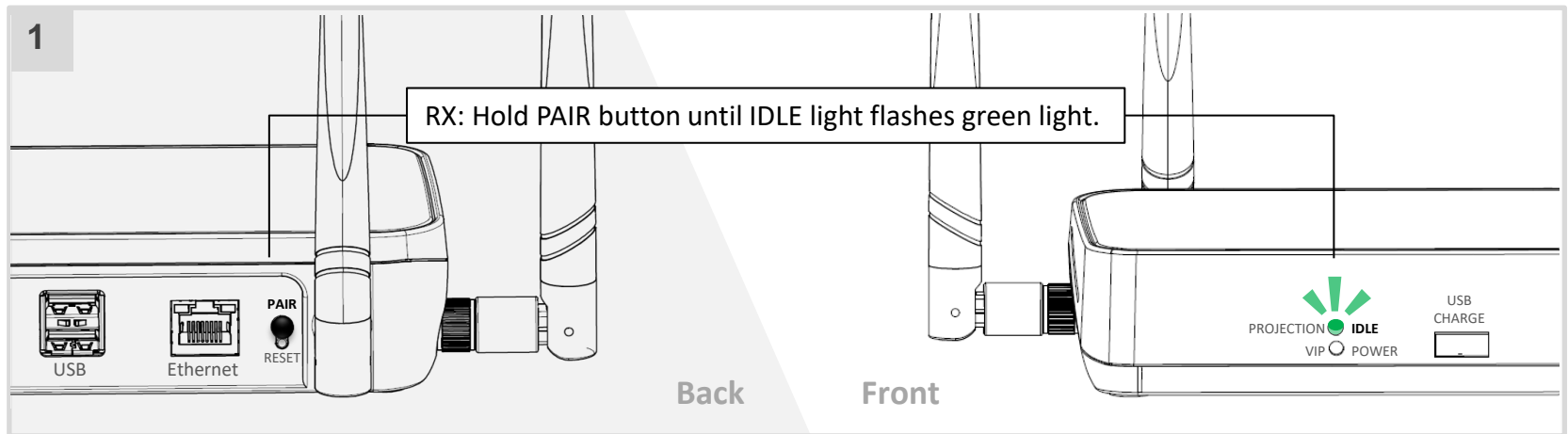


Menu	Usage
<b>VIP</b>	Projection priority for the selected TX. 讓選定的發射器(TX)有優先投影權 让选定的发射器(TX)有优先投影权
<b>Wi-Fi Channel Re-Scan</b>	Re-Scan and select Wi-Fi channel 重新掃描與選擇Wi-Fi頻道 重新扫描与选择Wi-Fi频道
<b>Auto Split</b>	Auto : Automatically switch to split screen(4 screen) when more then one user is sharing at the same time. Auto : 當有多個TX投影時,自動分割為四個畫面 Auto : 当有多个TX投影时,自动分割为四个画面

# Appendix







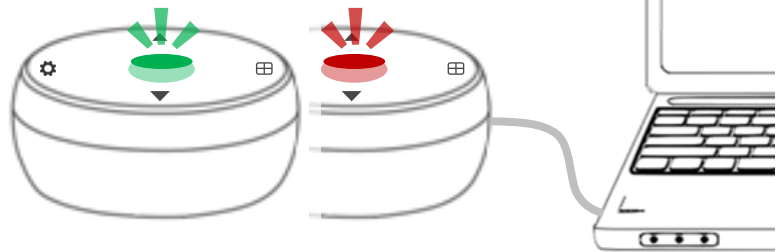
- If you have purchased additional TX unit(s), please pair them with your RX by following this simple process.
- 當購入新的發送器(TX),請依照步驟將其與原有的接收器(RX)配對。
- 当购入新的发送器(TX),请依照步骤将其与原有的接收器(RX)配对。

# Transmitter Pairing Process

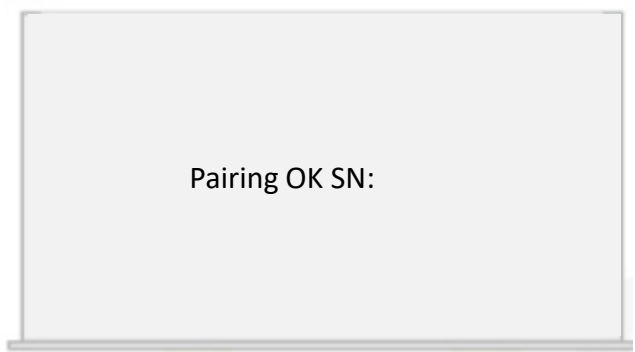
4



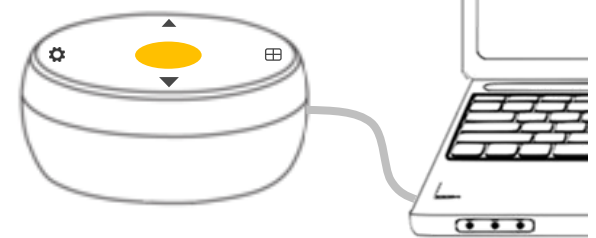
TX: Flashing green → red

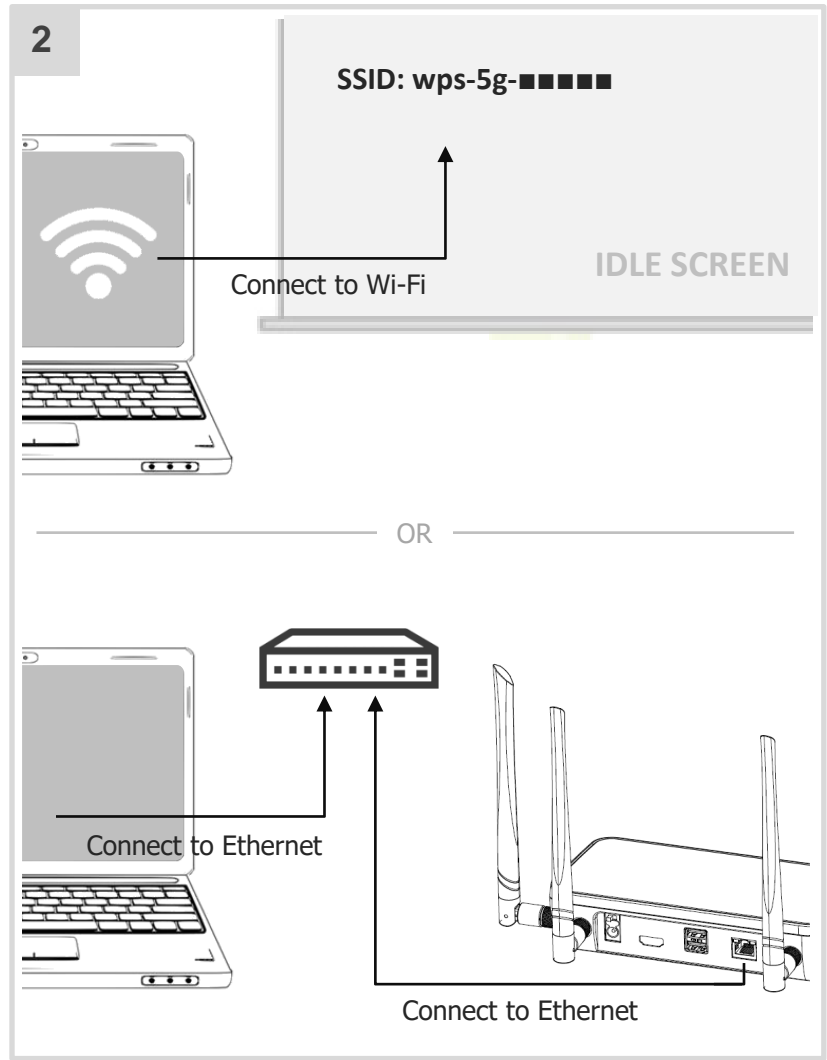
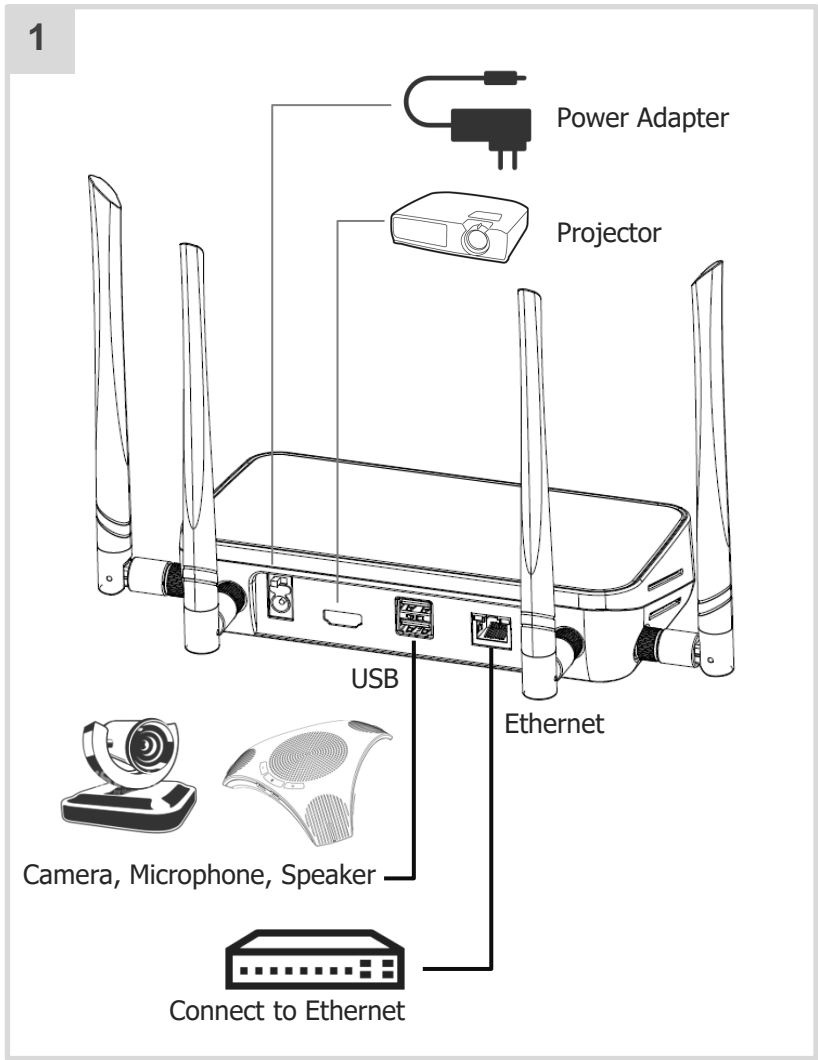


5



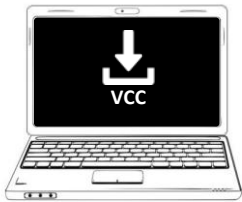
TX: Pairing completed



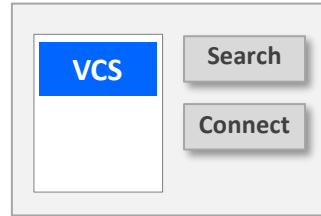


3

Install VCC Application  
(win10 or 11)

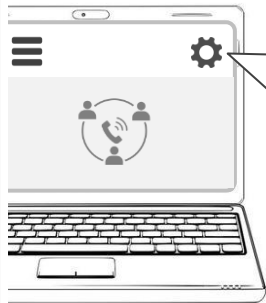


Search and connect to VCS



4

Open Conference Application , change camera or Audio to VCS's



Setting > Microphone / Speaker  
**VCS-Audio**

Setting > Camera  
**VCS-CAM**  
**VCS-Main Display**

